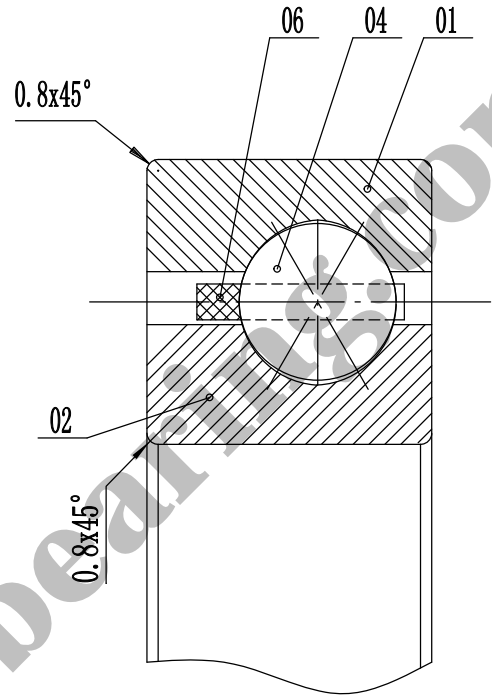


I enlarged view



KAYDON THIN SECTION BEARING

Formal drawing of K11008XP0 will be submitted after contact with:
sales@jcb-bearing.com or sales@thinsectionbearings.com

| | | | | | | |
|----|------------|---|------------------|--|--|--|
| 06 | cage | | nylon | | | |
| 04 | steel ball | | AISI 52100 Steel | | | |
| 02 | inner ring | 1 | AISI 52100 Steel | | | |
| 01 | outer ring | 1 | AISI 52100 Steel | | | |

| No. | designation | qty | material | unit | total | remark |
|---|-------------|-----|----------|------------------|------------|--------|
| | | | | weight (kg) | | |
| Luoyang JCB Bearing Technology Co., Ltd Contact information Company Address : No.285 Fenghua road, Luoyang, Henan,China. Postal code : 471000 Phone : 0086-379-68611678 Fax : 0086-379-68611679 E-mail: sales@jcb-bearing.com Reserved E-mail: sales@thinsectionbearings.com Website: http://www.jcb-bearing.com https://www.thinsectionbearings.com | | | | K11008XP0 | | |
| | | | | | weight(kg) | |
| | | | | | 0.15 | — |
| | | | | total page 1 | page 1 | |
| Luoyang JCB Bearing Technology Co., Ltd | | | | | | |